
GARDNER DENVER

3-1-541 Rev D
April, 2005

HD-2250

WELL SERVICE PUMP

**POWER END
PARTS LIST**

Gardner

Denver

**MAINTAIN PUMP RELIABILITY AND PERFORMANCE WITH
GENUINE GARDNER DENVER PARTS AND SUPPORT SERVICES**

Gardner Denver® genuine pump parts, manufactured to design tolerances, are developed for optimum dependability. Design and material innovations are the result of years of experience with hundreds of different pump applications. Reliability in materials and quality assurance are incorporated in our genuine replacement parts.

Gardner Denver supports your needs with these services:

1. Trained parts specialists to assist you in selecting the correct replacement parts.
2. Repair and maintenance kits designed with the necessary parts to simplify servicing your pump.

Authorized service technicians are factory trained and skilled in pump maintenance and repair. They are ready to respond and assist you by providing fast, expert maintenance and repair services.

For the location of your local authorized Gardner Denver distributor refer to the yellow pages of your directory or contact:

Factory (Tulsa):

Gardner Denver Well Servicing Pumps
4747 South 83rd East Avenue
Tulsa, Oklahoma 74145

Phone: (918) 664-1151
(800) 738-8099

Fax: (918) 664-6225

Service Center (Odessa):

Chaparral
2121 West 44th Street
Odessa, Tx 79768

Phone: (432) 366-5433
(800) 368-1134

Fax: (432) 363-9940

Service Center (Ft. Worth):

Geoquip
7533 Kathy Lane
Ft. Worth, Texas 76126

Phone: (817) 249-6400
(800) 824-0271

Fax: (817) 249-6401

INSTRUCTION FOR ORDERING REPAIR PARTS

When ordering parts, specify Pump MODEL and SERIAL NUMBER (see nameplate on unit). The Serial Number is also stamped on top of the cylinder end of the frame (cradle area).

All orders for Parts should be placed with the Tulsa Facility.

Where NOT specified, quantity for parts required per pump unit is one (1); where more than one is required per unit, quantity is indicated in parenthesis.

SPECIFY THE NUMBER OF PARTS REQUIRED.

DO NOT ORDER BY SETS OR GROUPS.

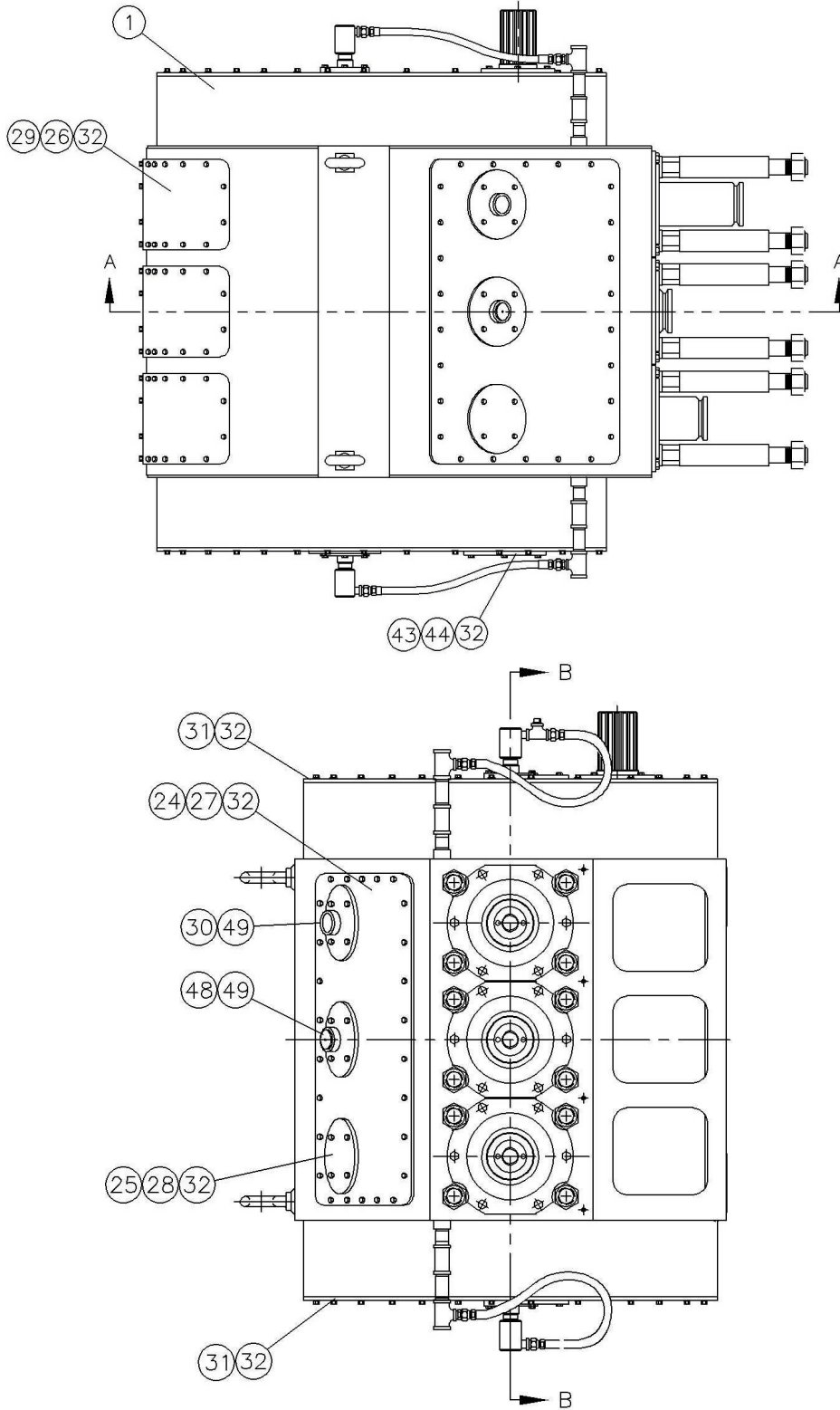
To determine the Right Hand and Left Hand side of a pump, stand at the power end and look toward the fluid end. Right Hand and Left Hand are indicated in parenthesis following the part name, i.e. (RH) & (LH), when appropriate.

TABLE OF CONTENTS

Maintain Pump Reliability and Performance with genuine Gardner Denver Parts and Support Services.....	1
Instructions for Ordering Repair Parts.....	1
Power End Assembly Illustration.....	3, 4, 5
Power End Assembly Parts List.....	6
Crankshaft Assembly	7
Connecting Rod Assembly.....	8
Lubrication Piping Group.....	9, 10
Gardner Denver Unit Record	Inside Back Cover

Order by Part Number and Description.
Reference Numbers are shown for your convenience only.

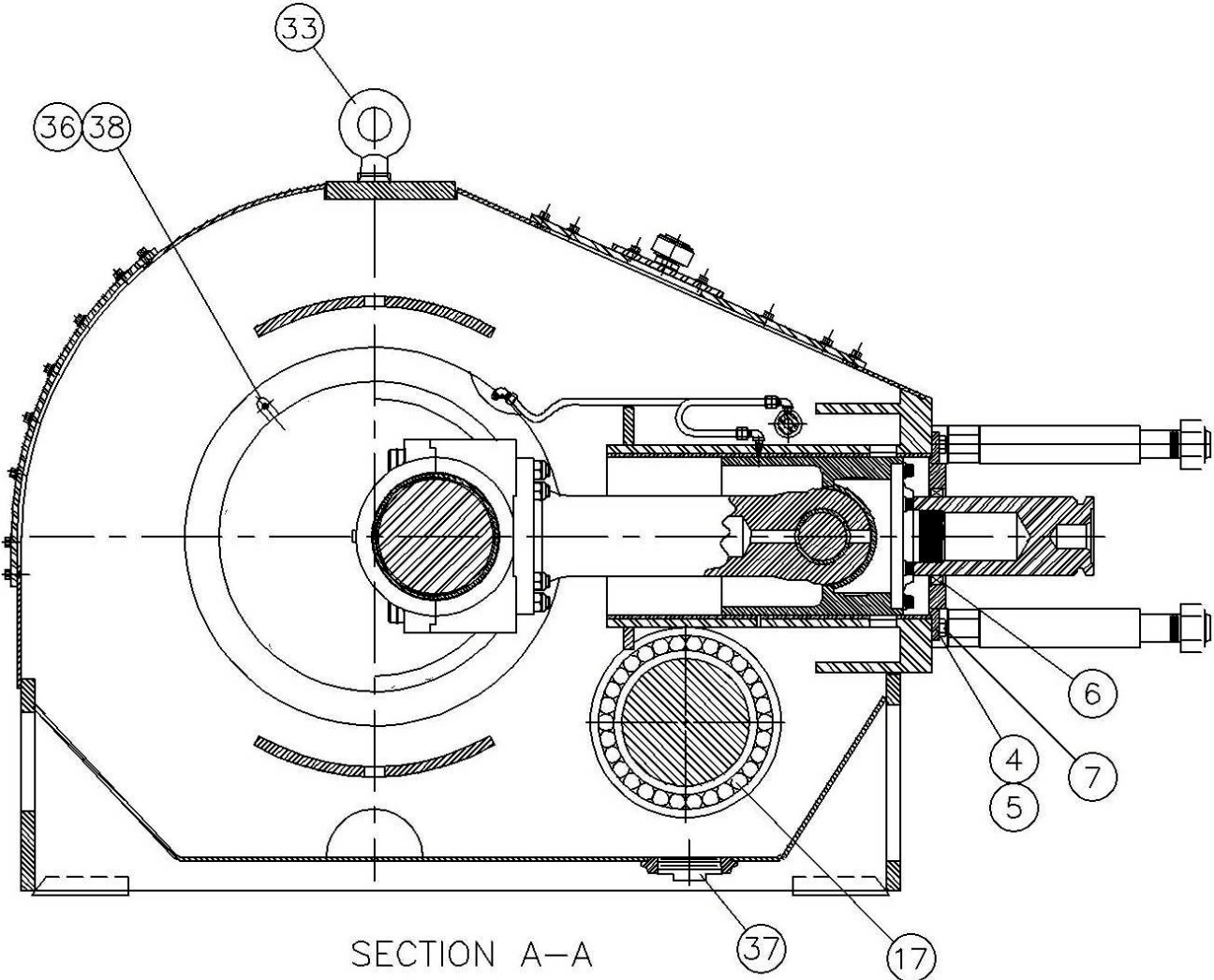
POWER END ASSEMBLY



300THD810
(Ref. Drawing)

Order by Part Number and Description. Reference Numbers are shown for your convenience only.

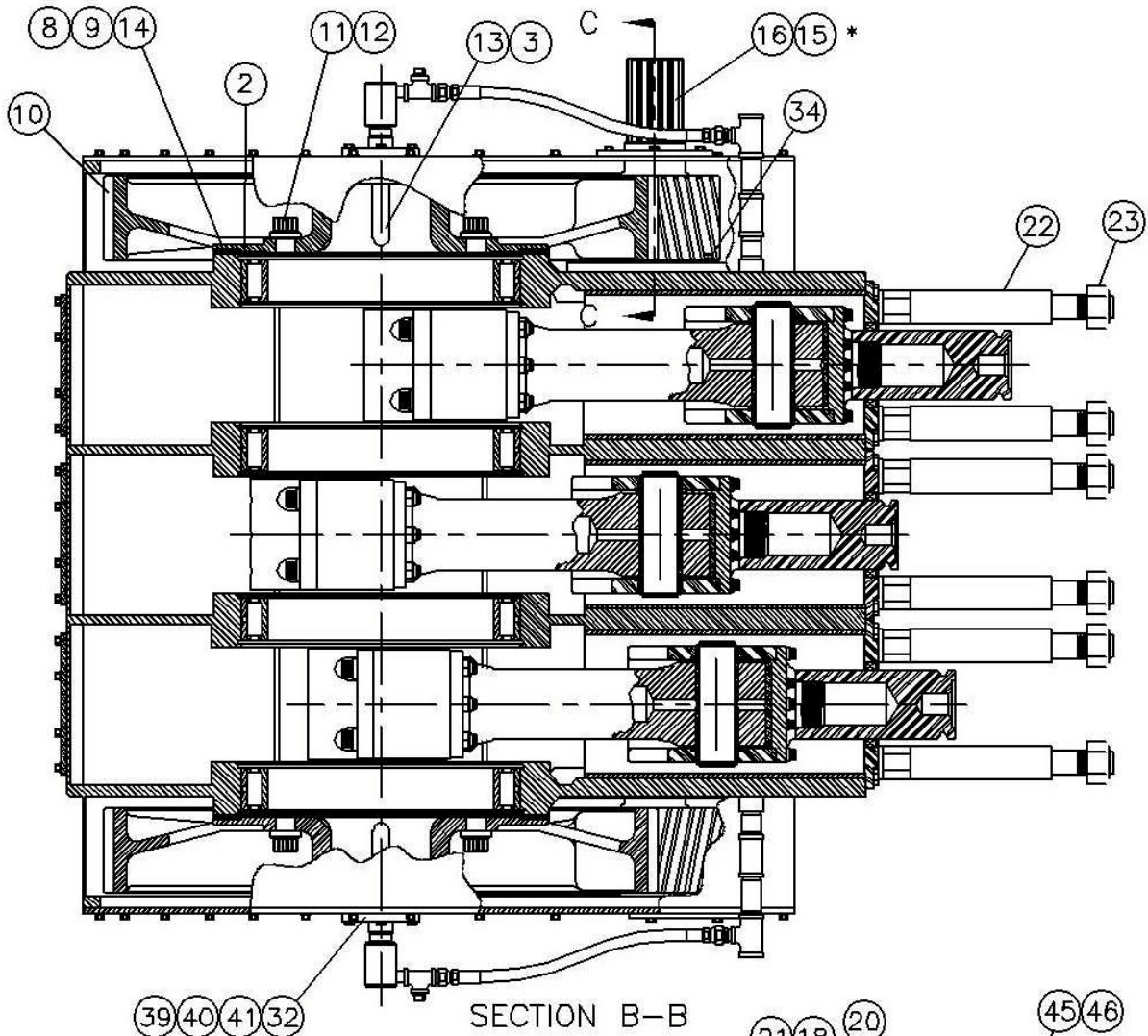
POWER END ASSEMBLY



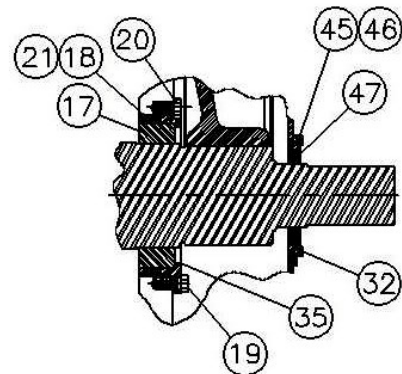
300THD810
(Ref. Drawing)

Order by Part Number and Description.
Reference Numbers are shown for your convenience only.

POWER END ASSEMBLY



SECTION B-B



SECTION VIEW C-C

300THD810
(Ref. Drawing)

**Order by Part Number and Description.
Reference Numbers are shown for your convenience only.**

POWER END ASSEMBLY

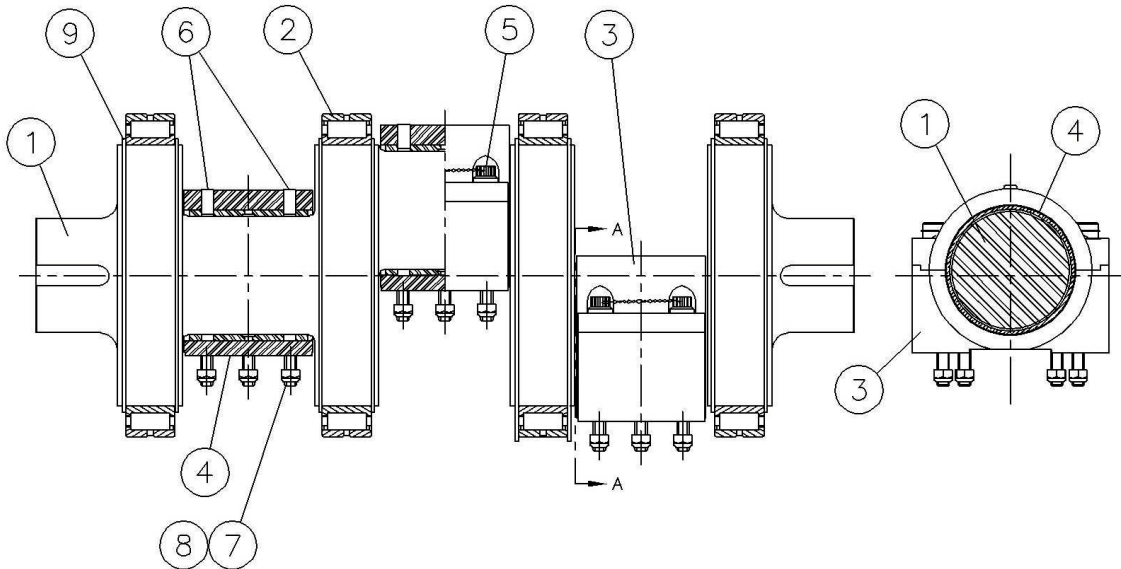
Ref. No.	Name of Part	Qty.	Part No.	Ref. No.	Name of Part	Qty.	Part No.
1	Power Frame Housing.....	1	050200	22	Stay Rod (Std 13").....	12	300THD409
2	Ring Snap Outer	8	053205		Stay Rod (Hvy Duty 13").....	12	PP1000477
3	Set Screw-Bull Gear Key	2	26029	23	Hex Nut, Heavy.....	12	50AW55
4	Gasket, Pony Rod			24	Cover, Crosshead.....	1	075233
	Seal Retainer.....	3	065217	25	Inspection Covers.....	1	075234
5	Pony rod Seal Retainer.....	3	066218	26	Cover, Back Frame.....	3	300THD225
6	Wiper Pony Rod			27	Gasket, Crosshead		
	(Seal) Garlock.....	3	201OPB199		Cover.....	1	065237
7	Capscrew.....	18	655EF060	28	Gasket, Inspection Cover.....	3	065238
8	Bronze Thrust Ring.....	2	068220	29	Gasket, Back Frame		
9	Capscrew, Brass Slotted				Cover.....	3	065239
	Flush.....	16	029234	30	Pipe Plug.....	1	64AC5
10	Set, Bull gear 6.353:1.....	1	302THD280	31	Gasket, Gear Housing		
11	Capscrew.....	8	029235		Cover.....	2	351662
12	Lockwasher.....	8	070222	32	Bolt, Hex Hd.....	206	75K48
13	Bull Gear Key.....	2	100033	33	Eyebolt.....	2	076243
14	Shim Pack, Bull Gear			34	Nozzle.....	2	082244
	(.030) Shim.....	1	072224	35	Pipe Plug.....	2	415649000
	(.020) Shim.....	1	072225	36	Retaining Ring Lock.....	8	3000-75
	(.015) Shim.....	1	072226	37	Plug, 4" Drain.....	1	078247
	(.010) Shim.....	1	102537	38	Capscrew.....	8	351742
	(.005) Shim.....	1	072228	39	Rotary Union Seal Carrier.....	2	342-A-75
15	Pinion Key.....	1	103125	40	Gasket, Seal Carrier,		
16	Pinion Shaft, Splined				Rotary Union.....	2	565PN031
	(6.353:1).....	1	300THD181	41	Seal, Rotary Union Oil.....	2	901SH02-13
	Pinion Shaft, Keyed			43	Cover, Gear Inspection.....	2	075256
	(6.353:1).....	1	301THD181	44	Gasket, Gear Inspection		
17	Bearing, Pinion.....	2	925SH01-13		Cover.....	2	065257
18	Pinion Bearing Housing.....	2	054228	45	Retainer, Pinion Shaft		
19	Capscrew.....	6	029236		Retainer.....	1	300THD1148
20	Capscrew.....	6	029237	46	Gasket, Pinion Seal		
21	Shimpack, Pinion				Retainer.....	1	065259
	(.005) Shim.....	1	072231	47	Seal, Pinion.....	1	60G60
	(.010) Shim.....	1	100681	48	Cap, Breather 3/4" NPI.....	1	081261
	(.015) Shim.....	1	072232	49	Cover, Breather Cap.....	2	075262
	(.030) Shim.....	1	072233				

Order by Part Number and Description.

Reference Numbers are shown for your convenience only.

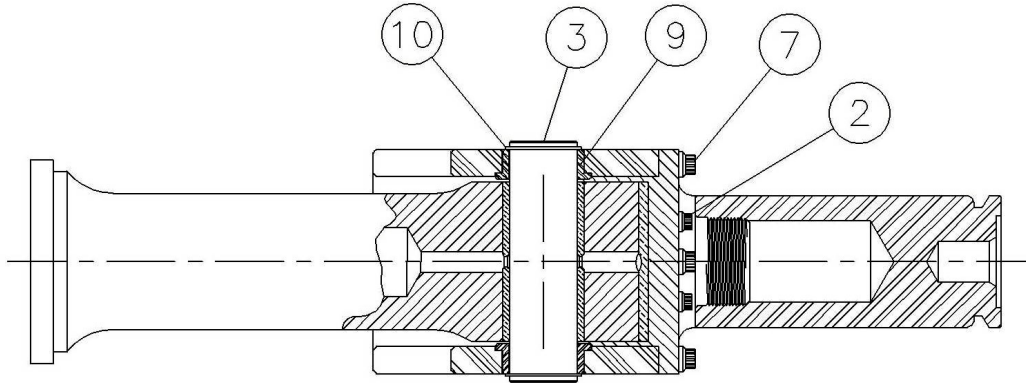
CRANKSHAFT ASSEMBLY

Ref. No.	Name of Part	Qty.	Part .
1	Crankshaft.....	1	473PN15
2	Bearing, Main Roller.....	4	925SH01-12
3	D/Connecting Rod Bearing Housing.....	3	300THD006
4	Bearing, Connecting Rod.....	6	925PN002
5	Capscrew, D/Socket Hd.....	12	029230
6	Screw	1	300THD655
7	Stud.....	18	025230
8	Nut, Flex Loc, Full Ht Heavy Duty.....	18	026230
9	Retainer Ring (Inner).....	8	926SH01-1

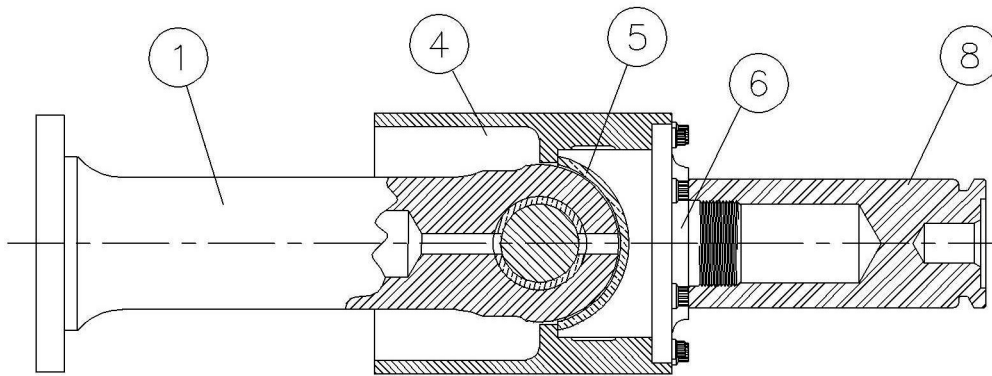


**304THD810-A
(Ref. Drawing)**

Order by Part Number and Description.
Reference Numbers are shown for your convenience only.



301THD810
(Ref. Drawing)

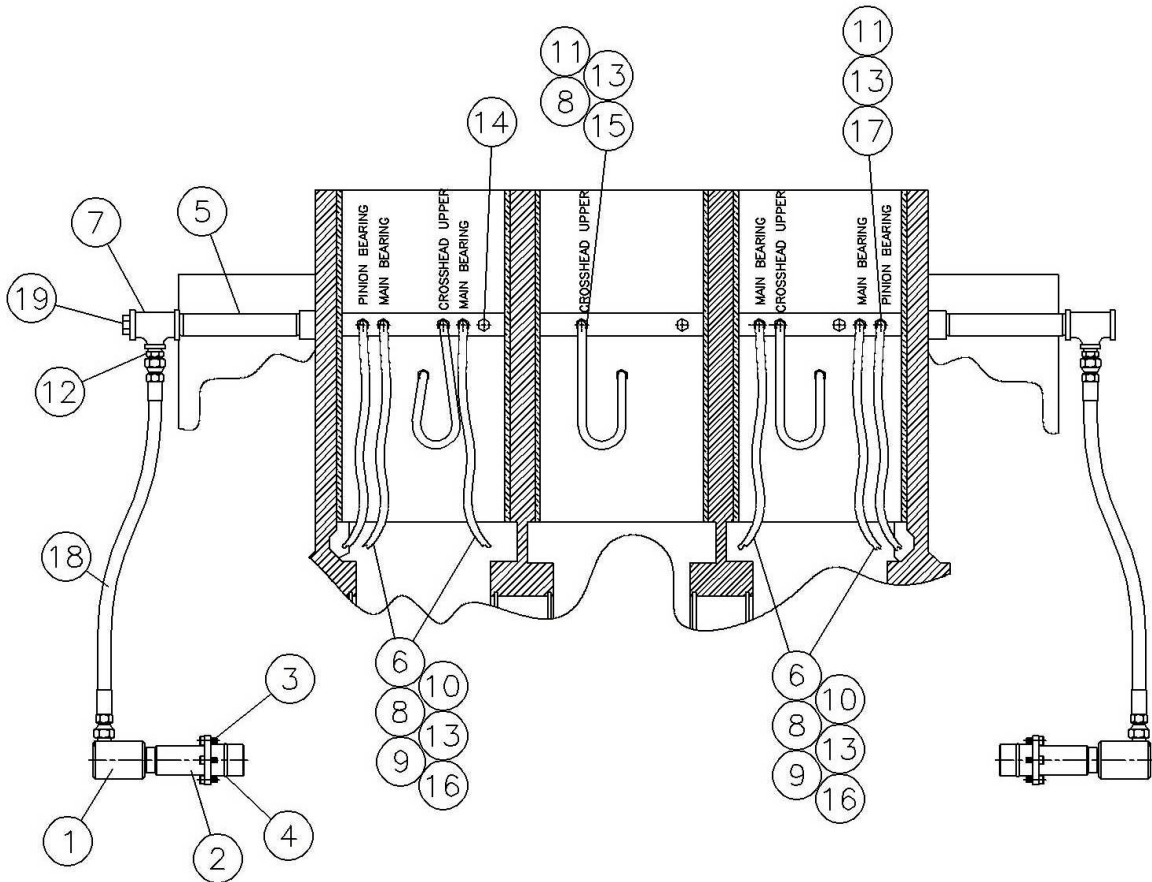


CONNECTING ROD ASSEMBLY

Ref. No.	Name of Part	Qty.	Part .
1	Connecting Rod.....	3	055208
2	Capscrew	12	2009617
3	Wrist Pin.....	3	058211
4	Crosshead.....	3	059213
5	Bearing, Thrust.....	3	057210
6	Retainer, Crosshead Bearing.....	3	086103
7	Capscrew.....	18	75LM126
8	Pony Rod (with OPI Clamp End).....	3	063216
9	Bushing, Crosshead.....	6	056209
10	External Snap Ring	6	053207
11	Bolt, Ferry.....	12	580117

Order by Part Number and Description. Reference Numbers are shown for your convenience only.

LUBRICATION PIPING GROUP



302THD810
(Ref. Drawing)

**Order by Part Number and Description.
Reference Numbers are shown for your convenience only.**

LUBRICATION PIPING GROUP

Ref. No.	Name of Part	Qty.	Part .
1	Rotary Union.....	2	922PN01
2	Crankshaft Rotary Union Adapter.....	2	342-A-74
3	Capscrew	8	454VP034-006
4	O-Ring Rotary Union Seal.....	2	901SH05-223
5	Pipe Fitting, Nipple.....	2	63H11
6	Pipe Fitting, Coupling.....	4	64BK2
7	Pipe Fitting – Reducing Tee (1" to ½").....	2	082268
8	Pipe Bushing.....	15	082287
9	Pipe Fitting, Nipple.....	4	082271
10	Pipe Fitting, Adapter.....	4	29Z229
11	Pipe Fitting, Adapter	5	5018198
12	Hose Adapter, Male Connection.....	2	082274
13	Hose Adapter, Male Manifold Connection.....	9	082275
14	Pipe Plug.....	2	64AA5
15	Hose, PTFE and Stainless Steel (Crosshead).....	3	082277
16	Hose, PTFE and Stainless Steel (Main Bearing).....	4	082279
17	Hose, PTFE and Stainless Steel (Gear Nozzle).....	2	082280
18	Hose, PTFE and Stainless Steel (Crankshaft).....	2	082281
19	Pipe Plug	2	078248

GARDNER DENVER UNIT RECORD

The following unit identification plate is provided as a convenience to you, our valued Gardner Denver customer. Please take the time to copy all the information from the actual nameplate of your unit. The model number, date manufactured and serial number will be required when contacting the company or your distributor for information or replacement parts.

DANGER-READ INSTRUCTION MANUAL BEFORE MOVING OR OPERATING UNIT						
MODEL	<input style="width: 100%;" type="text"/>	DATE MFG	<input style="width: 100%;" type="text"/>	SERIAL NO.	<input style="width: 100%;" type="text"/>	
ID NO.	<input style="width: 100%;" type="text"/>	MAX TEMP	<input style="width: 100%;" type="text"/>	C/CASE OIL CAP. GAL	<input style="width: 100%;" type="text"/>	
SERVICE	RATED MAX INPUT BHP	RATED MAX INPUT RPM	RATED MAX PUMP RPM	DISCHARGE MAX PSI W.P. OF FLUID CYL.	SUCTION MAX PSI W.P. OF FLUID CYL.	MAX INPUT RPM AT MAX PRESSURE
CONTINUOUS	<input style="width: 100%;" type="text"/>	<input style="width: 100%;" type="text"/>	<input style="width: 100%;" type="text"/>	<input style="width: 100%;" type="text"/>	<input style="width: 100%;" type="text"/>	<input style="width: 100%;" type="text"/>
INTERMITTENT	<input style="width: 100%;" type="text"/>	<input style="width: 100%;" type="text"/>	<input style="width: 100%;" type="text"/>	<input style="width: 100%;" type="text"/>	<input style="width: 100%;" type="text"/>	<input style="width: 100%;" type="text"/>
DISPLACEMENT & PRESSURE AT RATED RPM, SEE O-M MANUAL FOR ADDITIONAL SPECIFICATIONS						
SIZE	<input style="width: 100%;" type="text"/>	<input style="width: 100%;" type="text"/>	<input style="width: 100%;" type="text"/>	<input style="width: 100%;" type="text"/>	<input style="width: 100%;" type="text"/>	<input style="width: 100%;" type="text"/>
GPM	<input style="width: 100%;" type="text"/>	<input style="width: 100%;" type="text"/>	<input style="width: 100%;" type="text"/>	<input style="width: 100%;" type="text"/>	<input style="width: 100%;" type="text"/>	<input style="width: 100%;" type="text"/>
PSI	<input style="width: 100%;" type="text"/>	<input style="width: 100%;" type="text"/>	<input style="width: 100%;" type="text"/>	<input style="width: 100%;" type="text"/>	<input style="width: 100%;" type="text"/>	<input style="width: 100%;" type="text"/>
INTERMITTENT DUTY MAXIMUM PRESSURE, SEE O-M MANUAL FOR ADDITIONAL SPECIFICATIONS						
PSI	<input style="width: 100%;" type="text"/>	<input style="width: 100%;" type="text"/>	<input style="width: 100%;" type="text"/>	<input style="width: 100%;" type="text"/>	<input style="width: 100%;" type="text"/>	<input style="width: 100%;" type="text"/>
Gardner Denver				PURCHASER ID NO.	<input style="width: 100%;" type="text"/>	
2000PA496	Gardner Denver Quincy, Illinois		MADE IN USA			
GIVE MODEL, ID NO. AND SERIAL NO. WHEN ORDERING REPAIR PARTS OR SERVICE						

2000PA496
(Ref. Drawing)



For additional information contact your local representative or

Gardner Denver Inc.

4747 South 83rd East Avenue, Tulsa, OK 74145

PH: (918) 664-1151, (800) 637-8099

FAX: (918) 664-6225

www.gardnerdenver.com

Specifications subject to change without notice.

Copyright © 2001 Gardner Denver, Inc. Litho in U.S.A.